







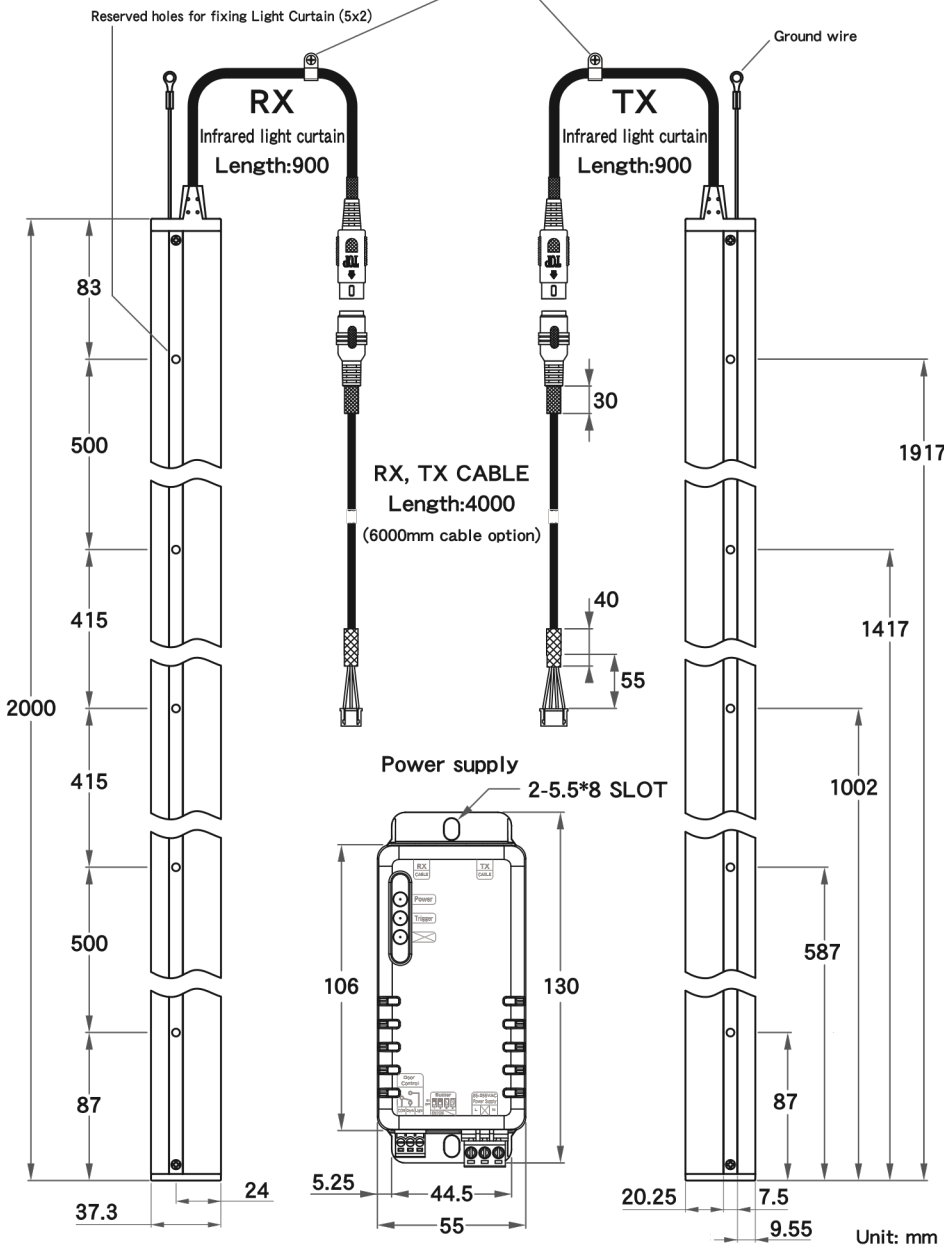
## Light curtain components

Infrared light curtain (RX, TX)	2 pcs
Cable 4M (RX, TX)	2 pcs
Power supply (PS-1211-1)	1 pce
Fixing kit	1 pk
Instruction manual	1 pce

### Screw components

a.	b.	c.	d.	e.	f.
					
M3.5x16L	M3.5x19L	M3.5	M4x12L	M4	CC-3
Cross recessed pan head tapping screws	Cross recessed flat head tapping screws	Internal tooth washer	Cross recessed pan head tapping screws	Internal tooth washer	Snap Bushing
x10	x10	x10	x12	x2	x10
Fix the detectors			Fix the cables		

Fixed from the front    Fixed from the back    Use snap bushing (f.) to wrap cable; Use screw (d.) with (e.) to fix cable.



## MB 194 light curtain features

- Input voltage 85-265VAC (110/220)
- Up to 194 infrared beams.

go into sleep mode.

- Easy to install. Mounting methods will depend on the site conditions.
- Ultra-thin 9mm type, more convenient to use.
- EN81-20 5.3.6.2.2.1 b) 1), 2) Compliant.
- IP55 Protected from limited dust ingress.
- The full series of product (include power supply) pass safety examination.

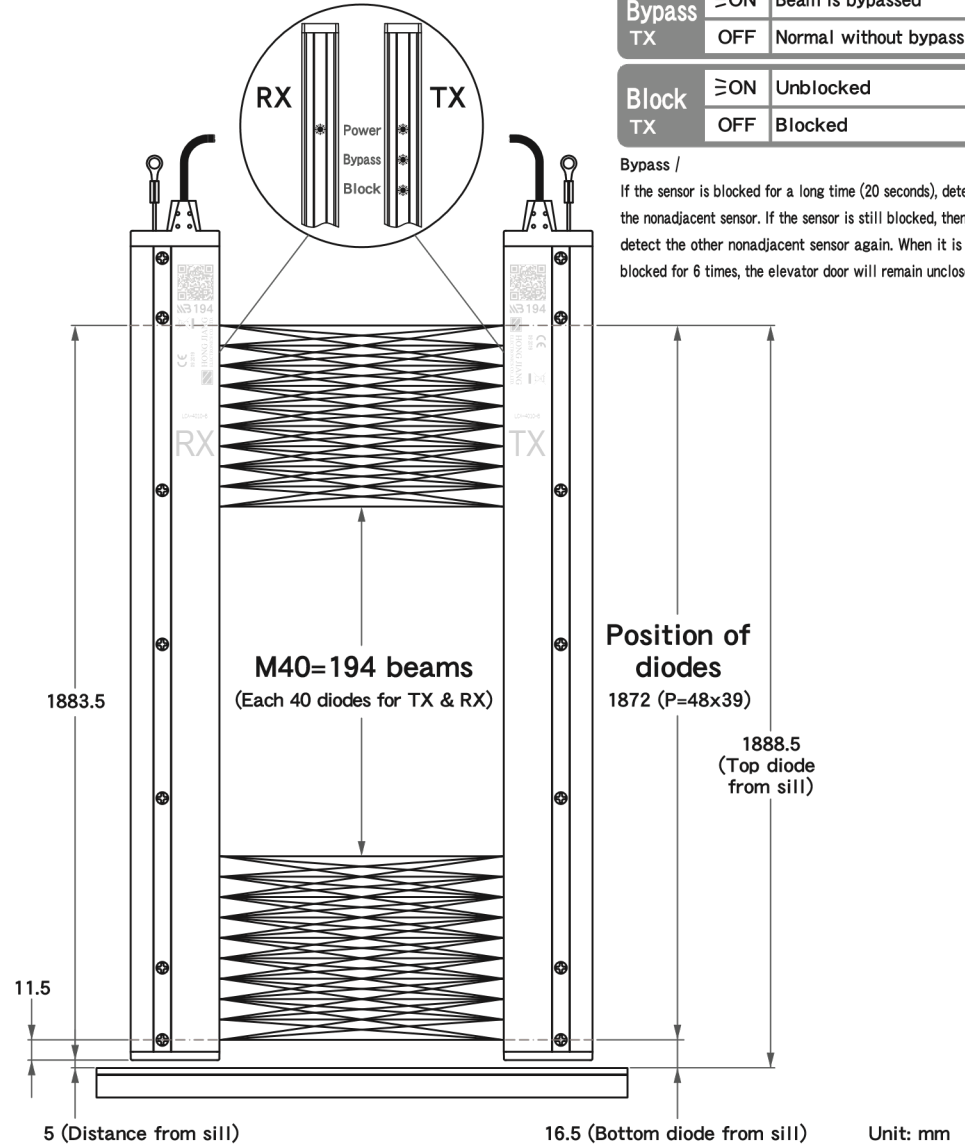


Diagnosis display of light curtain indicating light (The indicating lights are all red)

Power TX/RX	≧ON	Normal working voltage
	OFF	Abnormal working voltage
Bypass TX	≧ON	Beam is bypassed
	OFF	Normal without bypass
Block TX	≧ON	Unblocked
	OFF	Blocked

Bypass /

If the sensor is blocked for a long time (20 seconds), detect the nonadjacent sensor. If the sensor is still blocked, then detect the other nonadjacent sensor again. When it is blocked for 6 times, the elevator door will remain unclosed.



Lester Controls Limited  
Unit D.18, Imperial Way Croydon Surrey CR0 4RR  
TEL:+44(0)20 8288 0668  
FAX:+44(0)20 8288 0667  
<http://www.lestercontrols.co.uk/>



Website address

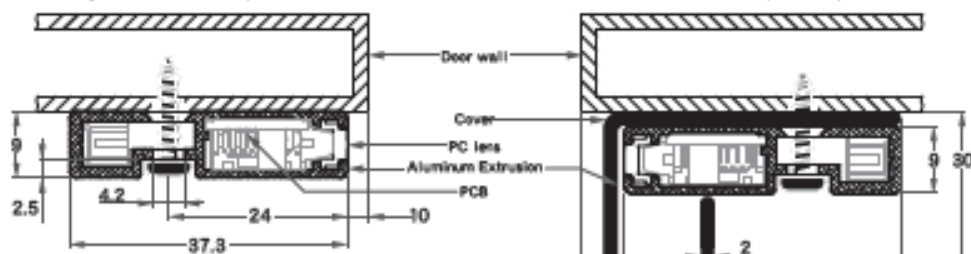
LC

## Installation precautions

1. According to the situation, select the suitable attached bracket to install the light curtain.
2. The ground wire of light curtain must ensure to touch the ground.
3. When placing the light curtain, the lower end is about 5mm from the ground and ensure TX and RX are kept flat and straight.
4. The distance between the mechanism side of TX, RX and the mechanical door is 10 mm (as the picture below)
5. Mark five fixing holes.
6. Remove the detectors from the door before drilling.
7. Screw the detector to the car door using tapping screw M3.5x16L.
8. The position of TX and RX can be exchanged using tapping screw M3.5x19L.
9. After installation, fix the cables on the door panel by using snap bushing.

### Installation method (without cover)

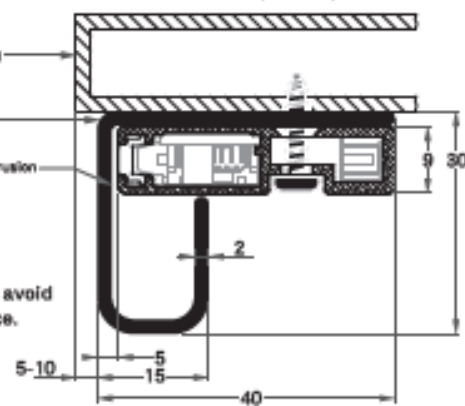
Use cross recessed flat head tapping screws M3.5x16L to fix light curtain on the door panel.



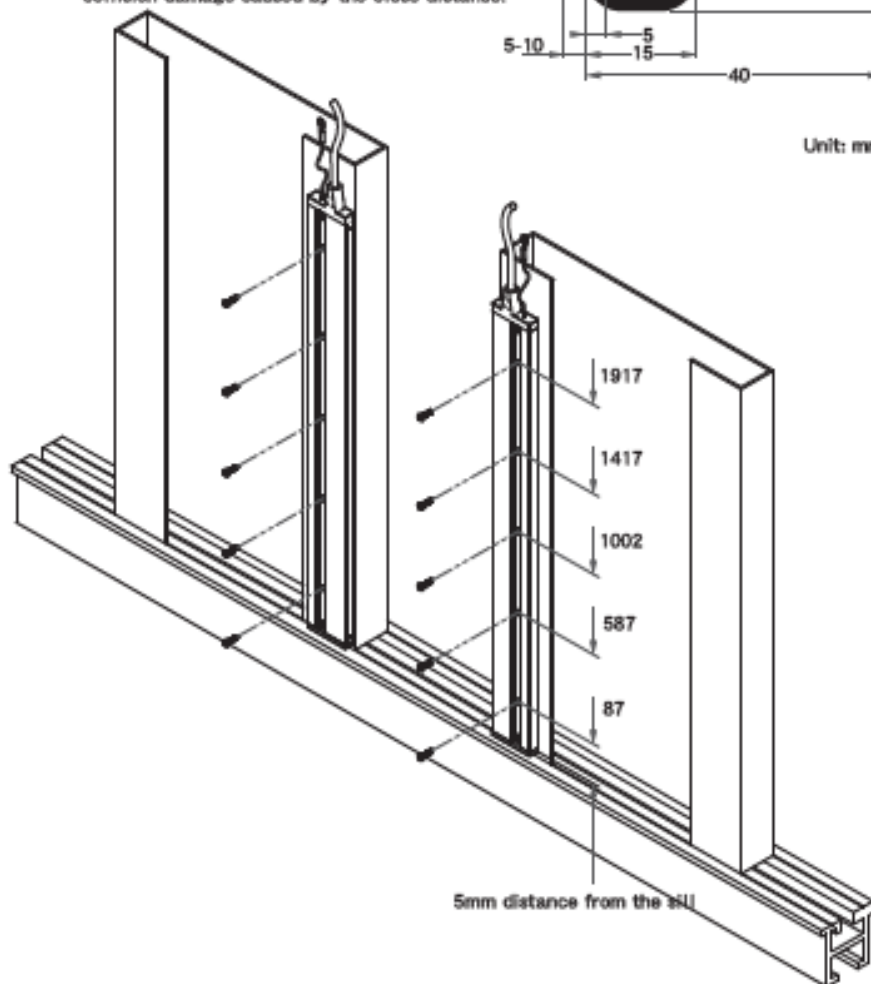
\* Install about 5-10mm from the door panel to avoid collision damage caused by the close distance.

### Install with cover (the cover can be purchased separately depends on the need)

Use cross recessed flat head tapping screws M3.5x16L to fix the curtain to the door panel and put close to the cover.

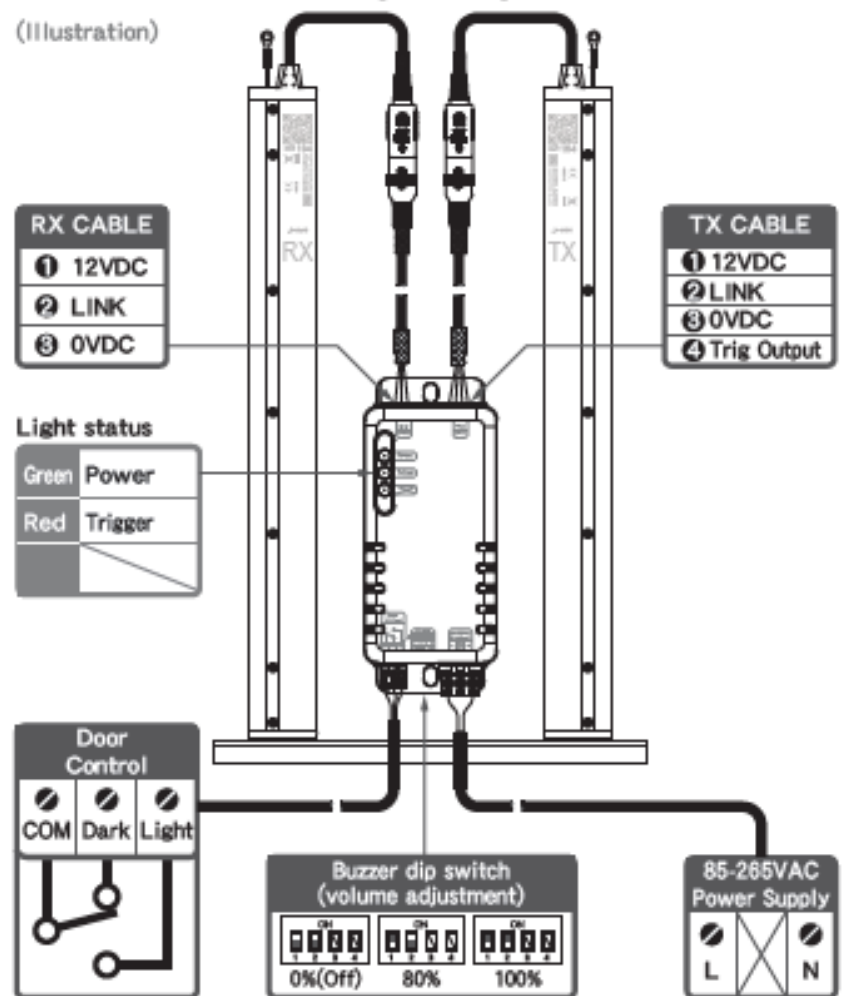


Unit: mm



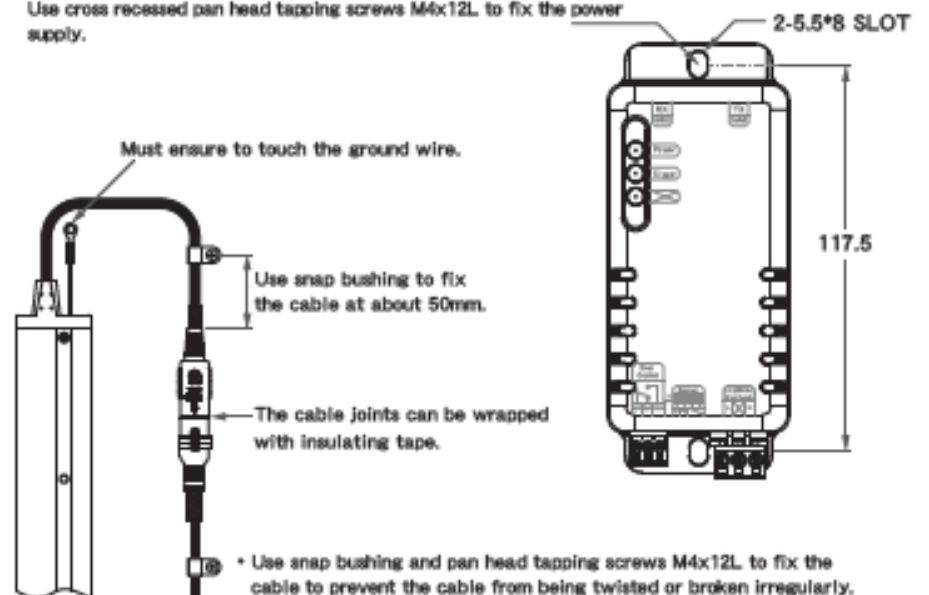
## Standard wiring diagram

(Illustration)



- Do not use beyond the voltage/current range and prevent incorrect wiring. Please avoid the load short circuit at the same time. When the above conditions occur, it might cause the light curtain to be damaged or burned.
- The limit of the light curtain extension cable is 8 meters.
- When the system controls the transmission wire, the signal wire of the light curtain should be prevented by independent metal pipe. Avoiding interfered by high-voltage wire (electricity or power cable).

\* Place in right position and the recommended hole size is about 3.3mm. Use cross recessed pan head tapping screws M4x12L to fix the power supply.



\* Use snap bushing and pan head tapping screws M4x12L to fix the cable to prevent the cable from being twisted or broken irregularly.