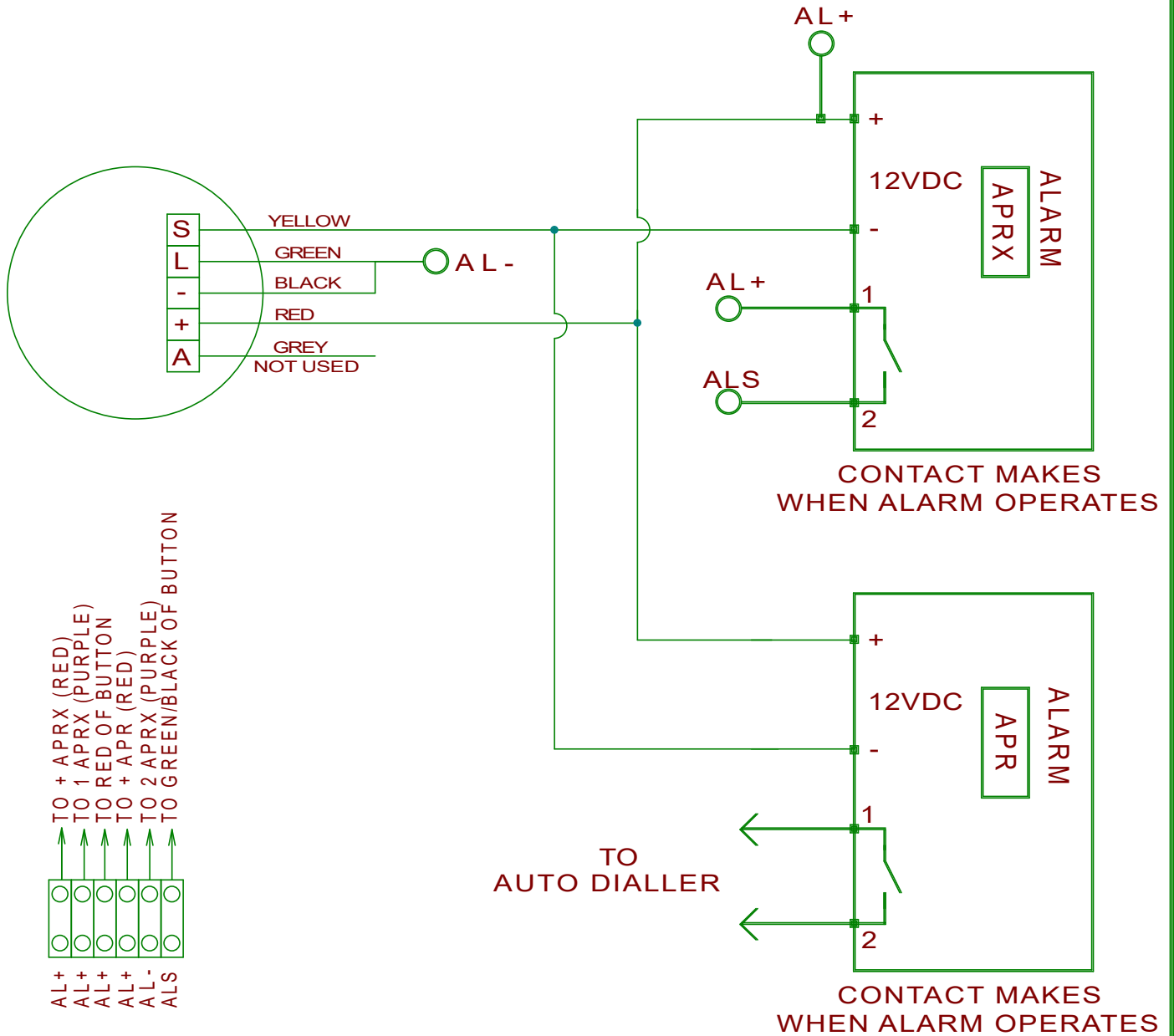


# PB35 NEW LCSSL BUTTON CONNECTIONS

IF 24VDC ALARM CIRCUIT,  
RESISTOR MUST BE FITTED  
TO POSITIVE (+) OF THE ALARM PCB  
AND TO THE RED OF THE BUTTON



Terminal Block Supplied

**TITLE**

Schematic drawing for a Push Button 35

DATE: 28/05/2024

PAGE NO: 1 of 1



**LESTER CONTROL SYSTEMS LTD**  
Unit D, 18 Imperial Way  
Croydon, Surrey  
CR0 4RR

TEL: 020 8288 0668  
FAX: 020 8288 0667

EMAIL: info@lestercontrols.co.uk

**NOTES**