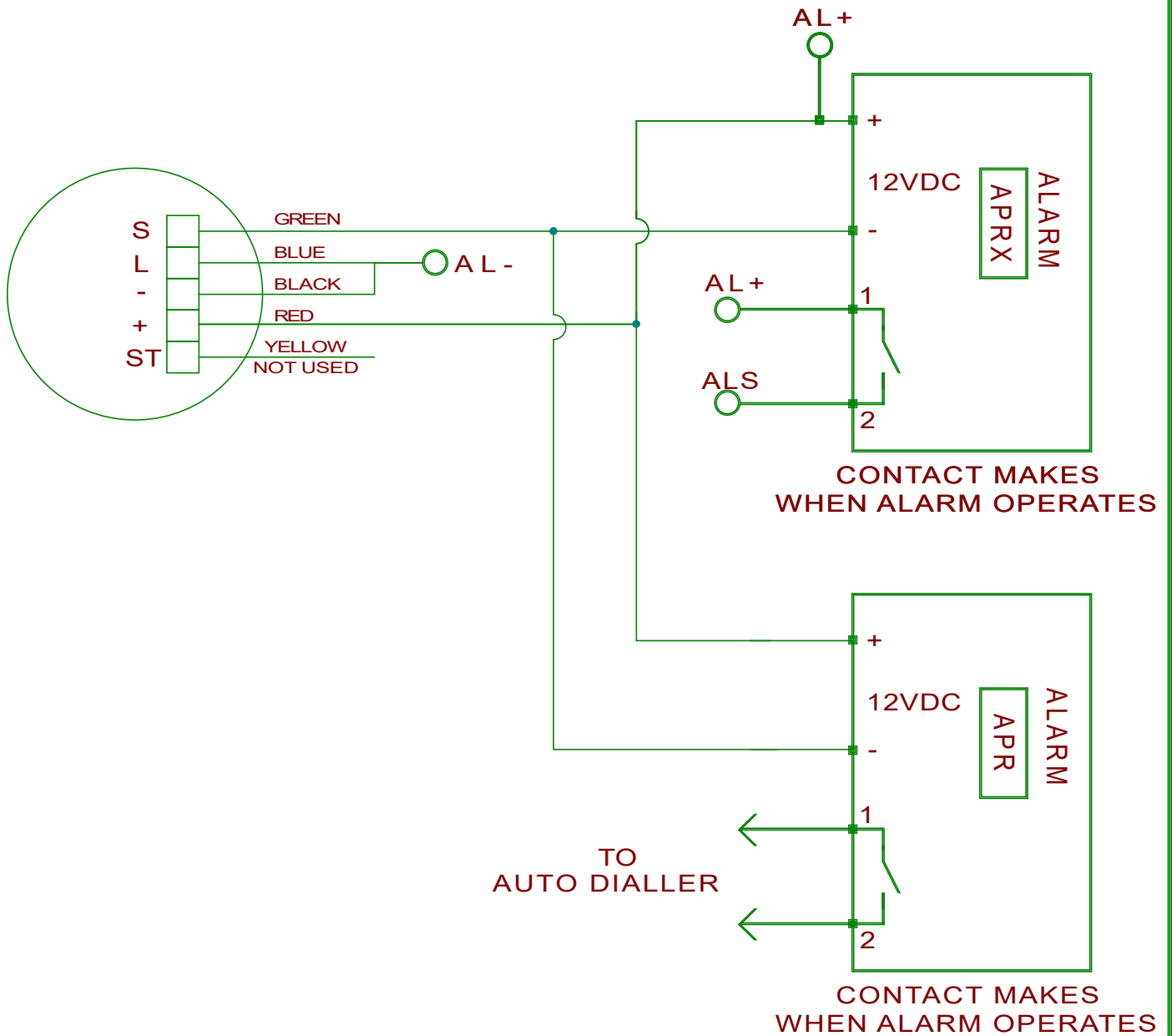


PB37 NEW LCSL BUTTON CONNECTIONS

IF 24VDC ALARM CIRCUIT,
RESISTOR MUST BE FITTED
TO POSITIVE (+) OF THE ALARM PCB
AND TO THE RED OF THE BUTTON



TITLE
Schematic drawing for a
Push Button 37

DATE: 28/05/2024

PAGE NO: 1 of 1



LESTER CONTROL SYSTEMS LTD
Unit D, 18 Imperial Way
Croydon, Surrey
CR0 4RR

TEL: 020 8288 0668
FAX: 020 8288 0667

EMAIL: info@lestercontrols.co.uk

NOTES