



THE UK'S LARGEST INDEPENDENT LIFT CONTROL PANEL MANUFACTURER

PB4 / 5 / 6 PUSH BUTTONS

A robust and elegant range of push buttons in a number of finishes to complement your elevator decor.

PB4 ADVANTAGES

- LED standard current 20mA (13-27mA / min-max)
- 1 N/O contact as standard
- Low profile 20mm
- Plug & Play connectors complete with terminal blocks
- 24v DC standard voltage
- Tactile and Braille standard finish
- Equality Act 2010 compliant*
- 10m mechanical life-span operations
- Meets EN 81-70 standards



PB4 Black finish with Braille

Standard stock configuration:
Red full illumination (24v) / White half illumination (12v)

RANGE FEATURES

- Full common range of numbers in stock and supporting functions available in a number of attractive finishes. There is a matching range of keyswitches, rocker switches and indicators.
- Any LED configuration can be accommodated at short notice if required.



PB5 Black finish non-Braille

Standard stock configuration:
Blue full illumination (24v) / White half illumination (12v)

PRODUCT CODES

- | | |
|---|---|
| • PB4R_ -3, -2, -1, 0, 1-19, A, B, DO, DC, Call, Up, Down, etc. | • PB5B_ -2, -1, 0, 1-10, B, G, L, M, DO, DC, Call, Up, Down, etc. |
| • PB4Y Alarm | • PB5Y Alarm |
| • PB4_ 0, 1, B, G, C, 2, 3 (Main Floor) | • PB5_ -1, 0, B, G (Main Floor) |
| • 2 Buzz (2 Floor Buzzer) | • PB6W_ G, 1-9, DO, DC, Call, Up, Down, etc. |
| • 4 Buzz (3-4 Floor Buzzer) | • PB6Y Alarm |
| • 8 Buzz (5-8 Floor Buzzer) | |
| • PB4 Alarm PCB | |



PB6 Stainless Steel finish non-Braille

Standard stock configuration:
White full illumination (24v) / White half illumination (12v)

SURFACE GRAPHICS

Symbols: Door Close, Door Open, Alarm, Up and Down
Other options are available upon request.

Head Office
59 Imperial Way
Croydon Surrey CR0 4RR
T: 020 8288 0668

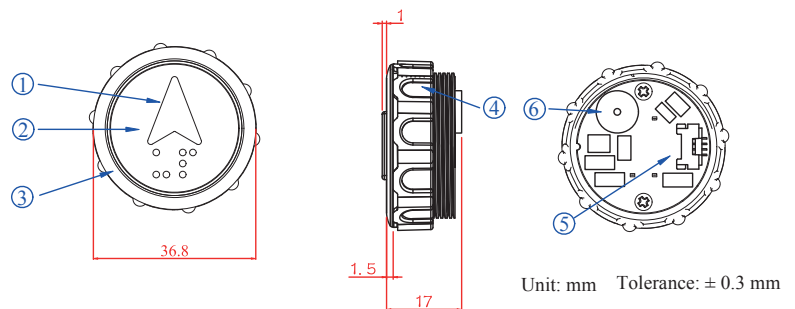
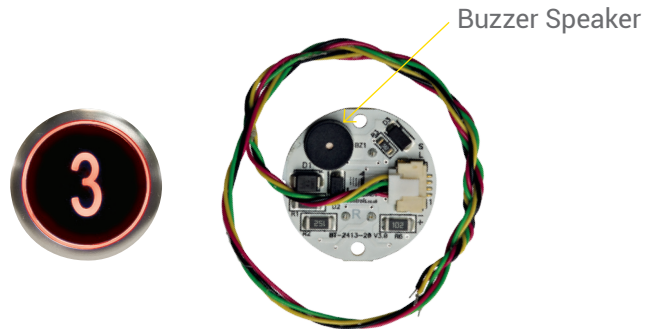
Midlands Office
Units 1-4 Wycliffe Industrial Park
Leicester Road Lutterworth
Leicestershire LE17 4HG
T: 01455 204980

Glasgow Office
4 Lonmay Place, Panorama Business
Park, Glasgow G33 4ER
T: 0141 771 6171

PB4 / 5 / 6 BUZZ PUSH BUTTONS

A range of push buttons incorporating the EN Buzz facility.

No extra wiring on-site is required as the button comes complete with the circuit already incorporated.

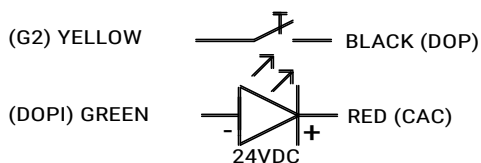


The Equality Act 2010 replaced the previous antidiscrimination laws with a single Act. It simplifies the law, removing inconsistencies and making it easier for people to interpret and comply with it. It also strengthens the law in important ways to help tackle discrimination and inequality. The Disability Quick Start Guide informs you how the Equality Act 2010 changes how you should act in order to prevent and address disability discrimination and disability-related harassment when you provide goods, facilities and services to the public, for example as a residential care home, community shop or after school club. These parts of the Act came into effect on 1 October 2010.

PB4 NEW LCSL BUTTON CONNECTIONS

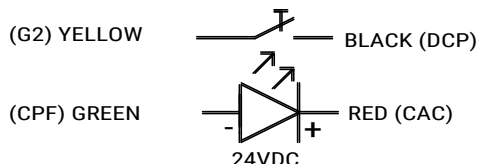
YOU MUST REFER TO WIRING DIAGRAMS FOR CORRECT CONNECTION

110VAC DOP WIRING *



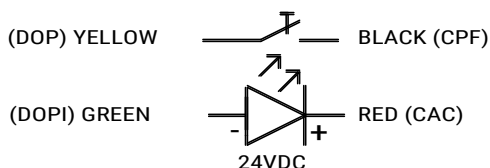
FULL ILLUMINATION WHEN DOORS CLOSING

110VAC DCP WIRING *



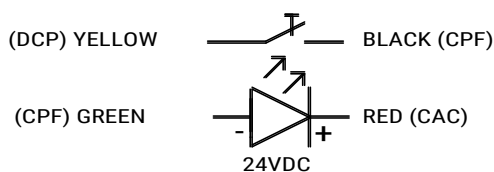
* FOR 110VAC DOP/DCP USE NON-BUZZ TYPE PB4
& ENSURE Q1 DIODE IS REMOVED

24VDC DOP WIRING



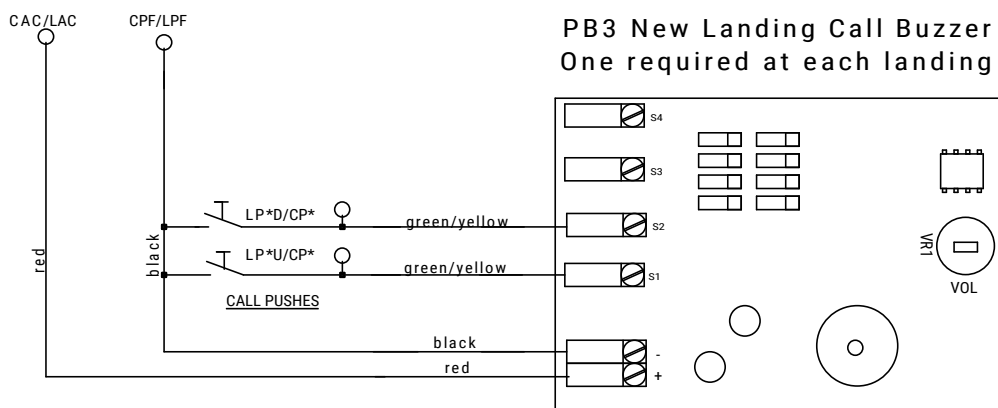
HALF ILLUMINATION
FULL ILLUMINATION WHEN DOORS CLOSING

24VDC DCP WIRING



OLD BUZZER BOARD

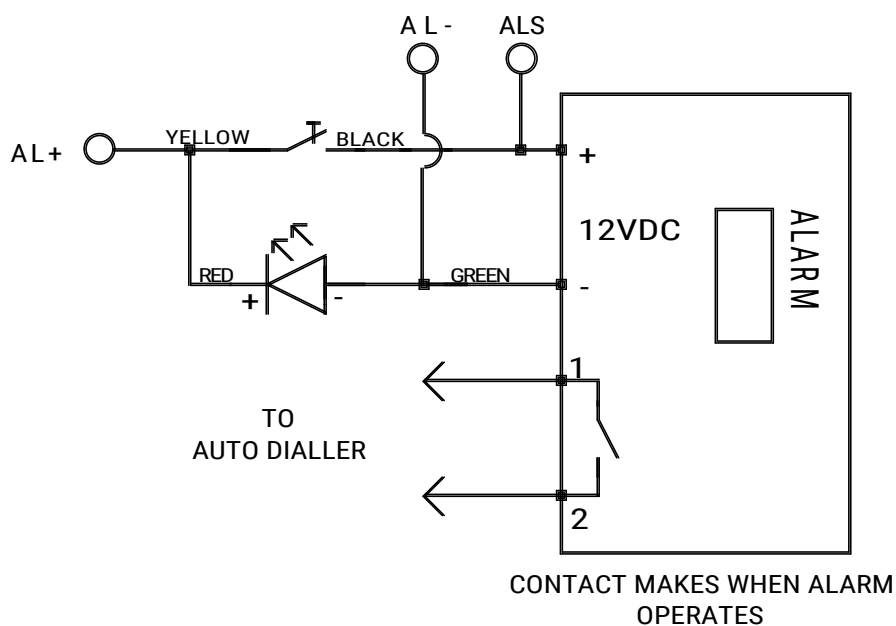
- CPF/LPF = BLACK
- CAC/LAC = RED
- CPR/LPR = YELLOW
- CPI/LPI = GREEN



* represents corresponding floor

ALARM

- AL+ = RED & YELLOW
- ALS = BLACK
- AL = GREEN



CONTACT MAKES WHEN ALARM OPERATES

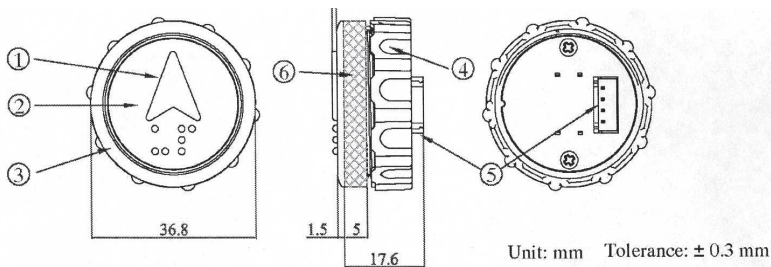
GENERAL

- Installation location: On the car operation panel or hall station
- Function: For elevator calling for hall position or car position

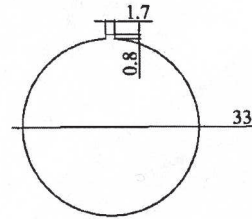
OPERATION

- Fix the units on the car operation panel or hall station
- Follow the wiring diagram to connect the wires
- Check the short circuit between the wires multi-meter
- Power on and press the button to confirm it works normally
- The installation is finished after the above procedure

DIMENSION DIAGRAM



STUD OPENING DIAGRAM

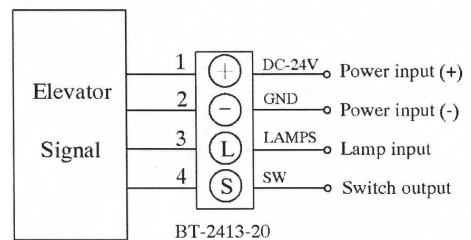


- Plastic symbol slice (Transparent brown PP)
- 1T Hairline stainless steel
- Hairline stainless steel board
- Fixed cover (ABS)
- Connector
- Bushing (raised 5mm) for exit floor

TECHNICAL SPECIFICATION

Standard Voltage	DC24v
Voltage Range	DC18v ~ DC30v
Standby Consumption	Power 1.8mA
	Current 1.8mA
In Operation Consumption	Standard voltage 20mA
	Lowest voltage 13mA
	Highest voltage 27mA
Push Strength	400g \pm 50g
Life-Span	10million
Display Type	LED
Colour	In standby white
	In operation red
Weight	15.5g

WIRING DIAGRAM



3 Wire

- CAC/LAC Red
- LPF/CPF Black
- LP1/CP1etc Yellow & Green (wire together)

4 Wire

- CAC/LAC Red
- LPF/CPF Black
- Push return Yellow
- Lamp return Green

All information is for guidance only, E & OE
 ©Copyright 2023, Lester Controls Systems Ltd,
 All rights reserved