

# Hall lantern With Arrival Bell Manual

## 1. Model

PTL-2401-1

## 2. Product

Hall lantern with arrival bell

## 3. General

- (A) Feature: Combined the lantern and arrival bell in one unit, make the installation easier.
- (B) Installed location: On the hall.
- (C) Function: Informed the passengers who are waiting for the elevator on the hall by the light and the sound when the elevator arrives.

## 4. Installation

- (A) Please fix the unit on the palce which the lantern normally be installed.
- (B) Following the wiring diagram to connect the wires.
- (C) According to the "Sound Setting" description to set the landing sound.
- (D) Check the short circuit between the wires by the multi-meter.
- (E) Turn on the DC 24V power and send the signal, the unit should work correctly as the setting.
- (F) The installation has been completed after above procedure.

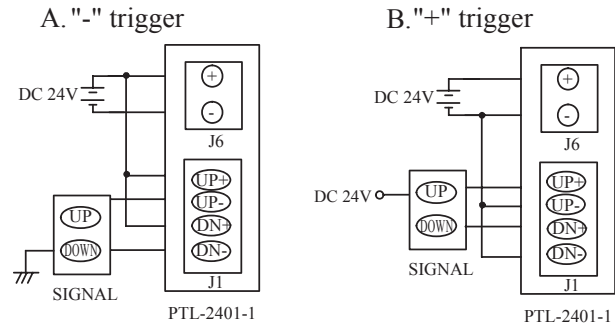
## 5. Specification

Standard voltage	DC 24V	
Voltage range	DC 16V~ DC 30V	
Standby consumption power	0.144W	
Standby consumption current	Standard	6mA
	Low input voltage	8mA
	High input voltage	4mA
Operation consumption current	Standard	145mA
	Low input voltage	130mA
	High input voltage	170mA
Color	White	
Triggering	"+" or "-" trigger	
Bell volume	79db/30cm	
Sound Type	2 types of landing sound(up,down)	
Dimension (L*W*H)	190*189*50mm	
Weight	1300g	

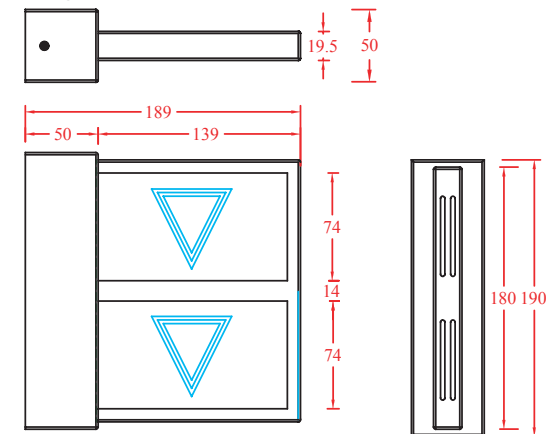
## 6. Sound

UP	Two-tones running
DOWN	Three-tones running

## 7. Wiring Diagram



## 8. Dimension Diagram



## 9. Wall Bracket Drilling Diagram

