

Product

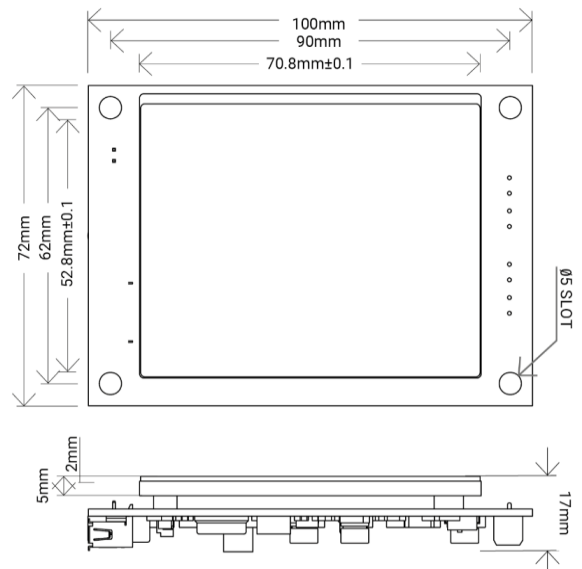
Serial transmission indicator for Hall (Full colour LCD)

General

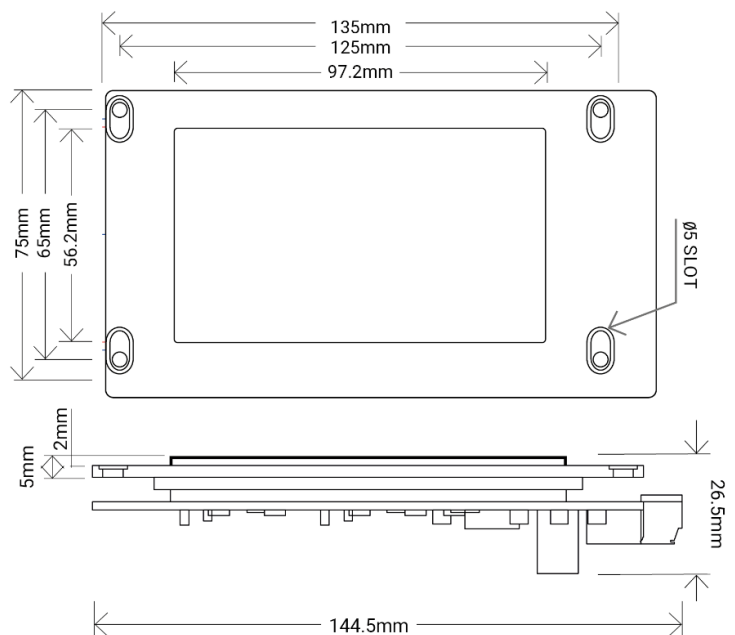
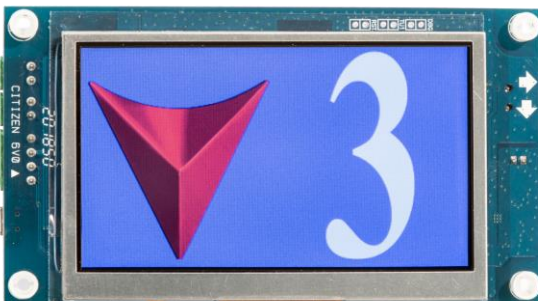
- A. Feature: Using the advantage of LCD to create the delicate graphics and letter for elevator operation.
- B. Install Location: Car and landing position
- C. Function: To display current floor and status of elevator and can update photo by USB (only FAT32) or Micro SD
- D. Size of background photo: Horizontal 480*272, vertical 320*240 (43 & 70)
- E. Horizontal / Vertical: Can change orientation by DipSW

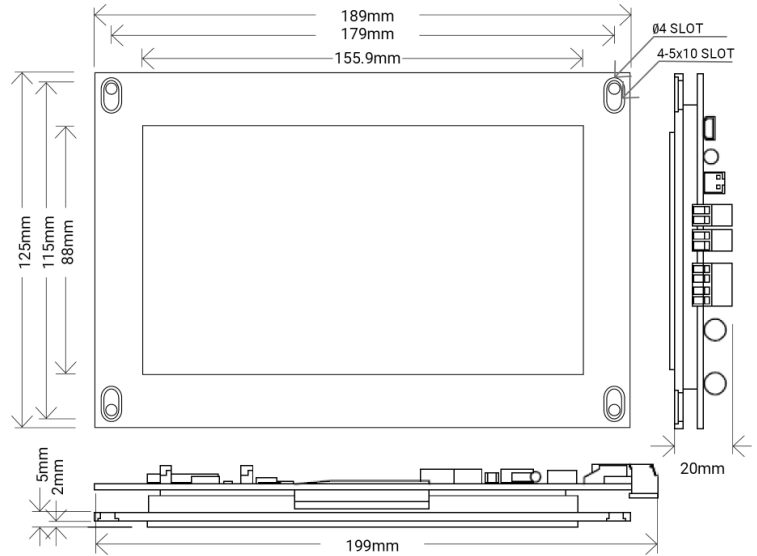
Operation

- A. Fix the display in the Hall position
- B. Follow the wiring diagram to connect the wires and buttons
- C. Check the wire by multi-meter
- D. Connect to 24VDC power and the elevator serial signal, then check if the messages display correctly
- E. After the above procedure, the install and test are finished



TFT 43





TROUBLESHOOTING



Power to the unit is present, awaiting communications to start.



Power to the unit is present, no data. Check data wiring CCH/CCL for car wiring LCH/LCL for landing wiring.



Power and communication present and correct.



Power and communication present, wrong orientation change Dil switch 6 and re-initialise power.

	DIP SW	1	2	3	4	5
CAR		OFF	OFF	OFF	OFF	OFF
FLOOR 1		ON	OFF	OFF	OFF	OFF
FLOOR 2		OFF	ON	OFF	OFF	OFF
FLOOR 3		ON	ON	OFF	OFF	OFF
FLOOR 4		OFF	OFF	ON	OFF	OFF
FLOOR 5		ON	OFF	ON	OFF	OFF
FLOOR 6		OFF	ON	ON	OFF	OFF
FLOOR 7		ON	ON	ON	OFF	OFF
FLOOR 8		OFF	OFF	OFF	ON	OFF
FLOOR 9		ON	OFF	OFF	ON	OFF
FLOOR 10		OFF	ON	OFF	ON	OFF
FLOOR 11		ON	ON	OFF	ON	OFF
FLOOR 12		OFF	OFF	ON	ON	OFF
FLOOR 13		ON	OFF	ON	ON	OFF
FLOOR 14		OFF	ON	ON	ON	OFF
FLOOR 15		ON	ON	ON	ON	OFF
FLOOR 16		OFF	OFF	OFF	OFF	ON
FLOOR 17		ON	OFF	OFF	OFF	ON
FLOOR 18		OFF	ON	OFF	OFF	ON
FLOOR 19		ON	ON	OFF	OFF	ON
FLOOR 20		OFF	OFF	ON	OFF	ON
FLOOR 21		ON	OFF	ON	OFF	ON
FLOOR 22		OFF	ON	ON	OFF	ON
FLOOR 23		ON	ON	ON	OFF	ON
FLOOR 24		OFF	OFF	OFF	ON	ON
FLOOR 25		ON	OFF	OFF	ON	ON
FLOOR 26		OFF	ON	OFF	ON	ON
FLOOR 27		ON	ON	OFF	ON	ON
FLOOR 28		OFF	OFF	ON	ON	ON
FLOOR 29		ON	OFF	ON	ON	ON
FLOOR 30		OFF	ON	ON	ON	ON
FLOOR 31		ON	ON	ON	ON	ON

DIP SW1	TFT Indicator Function
1	Floor No. Select 1
2	Floor No. Select 2
3	Floor No. Select 4
4	Floor No. Select 8
5	Floor No. Select 16
6	Display: 0=Horizontal, 1=Vertical
7	Volume Control 1
8	Volume Control 2
9	Volume Control 3
10	Terminal Resistance

	TFT35	TFT43	TFT70
STANDARD VOLTAGE	24VDC	24VDC	24VDC
VOLTAGE RANGE	18~30 VDC	18~30 VDC	18~30 VDC
STANDBY CONSUMPTION POWER	1.7W	1.56W	2.16W
STANDBY CONSUMPTION CURRENT WITH STANDARD INPUT VOLTAGE	69mA	65mA	90mA
STANDBY CONSUMPTION WITH LOW INPUT VOLTAGE	104mA	85mA	120mA
STANBY CONSUMPTION WITH HIGH INPUT VOLTAGE	57mA	52mA	75mA
OPERATION CONSUPTION CURRENT WITH STANDARD INPUT VOLTAGE	93mA	96mA	142mA
OPERATION CONSUPTION CURRENT WITH LOW INPUT VOLTAGE	140mA	130mA	185mA
OPERATION CONSUPTION CURRENT WITH HIGH INPUT VOLTAGE	75mA	80mA	110mA
DISPLAY METHOD	LCD	LCD	LCD
DISPLAY AREA	70.1*52.6mm (L*W)	95*53.9mm(L*W)	85.9*154.1mm (L*W)
TRANSMISSION MODE	SERIAL SIGNAL CAN BUS	Serial signal / CAN BUS	SERIAL SIGNAL CAN BUS
DIMENSION (L*W*H)	72*100*17mm	135*75*20.3mm	155*179*20.9mm
WEIGHT	76g	102.2g	272.4g