

Keyswitch Manual

1. Model

SW-0002-P

2. Product

Keyswitch

3. General

- (A) Installation Location: On the car operation panel
- (B) Function: Use the keyswitch to control the elevator

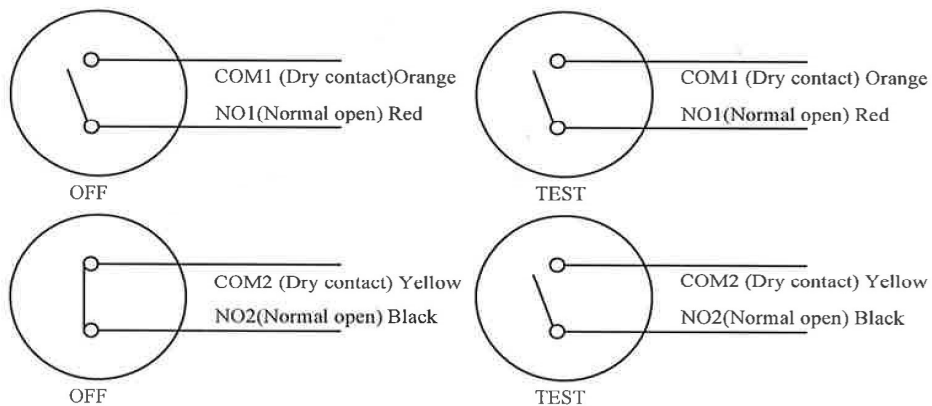
4. Operation

Removable in OFF&ON, not in the TEST Position.

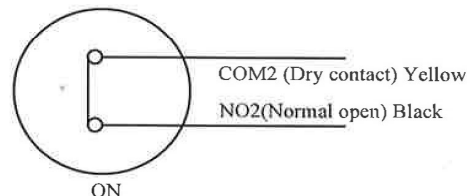
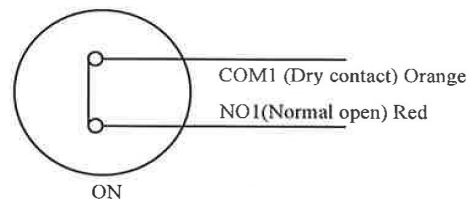
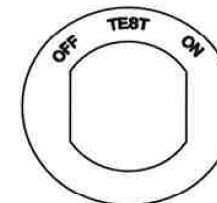
5. Specification

Max duration voltage	DC 28V	AC 125V	AC 250V
Max duration current	4 A	4 A	2 A

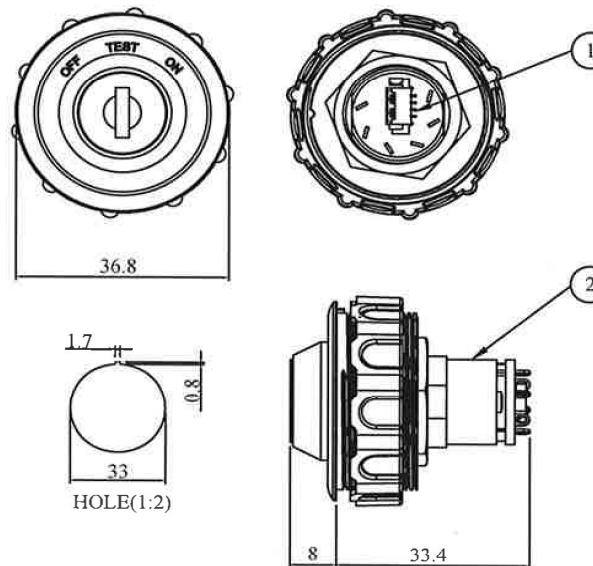
6. Wiring Diagram



7. Marking



8. Dimension Diagram



unit: mm

No.	Item
1	Connector
2	LOCK